



Installation instructions, accessories

Volvo Car Corporation Gothenburg, Sweden

Instruction No	Version	Part. No.
31346262	1.1	31350479, 31346065, 31407107

Trailer hitch, cable harness, and control module



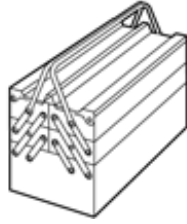
Installation instructions, accessories

Volvo Car Corporation Gothenburg, Sweden

Equipment

VIDA

IMG-242205



IMG-345497

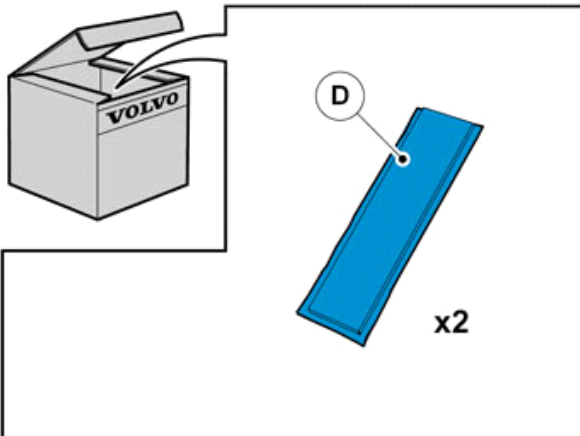
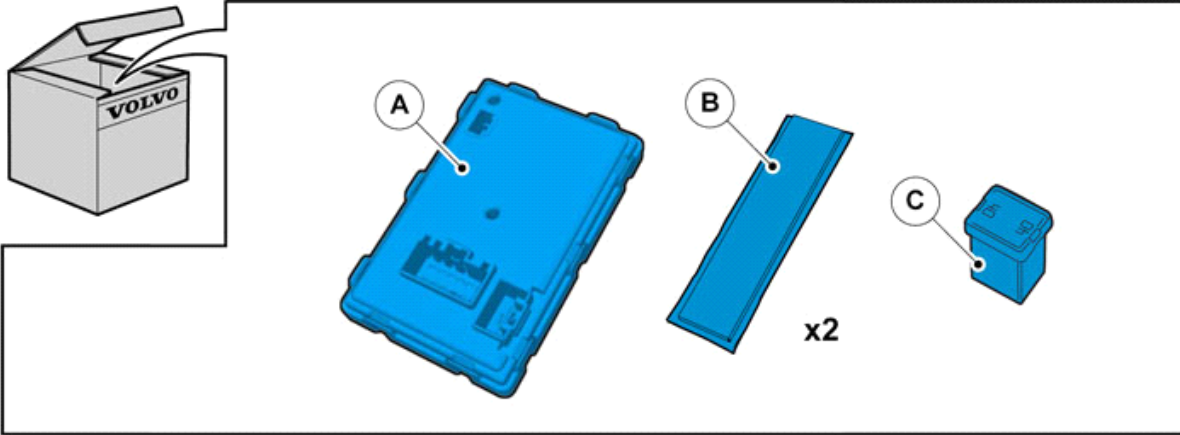


IMG-332314



IMG-239664

Nm
lbf.ft

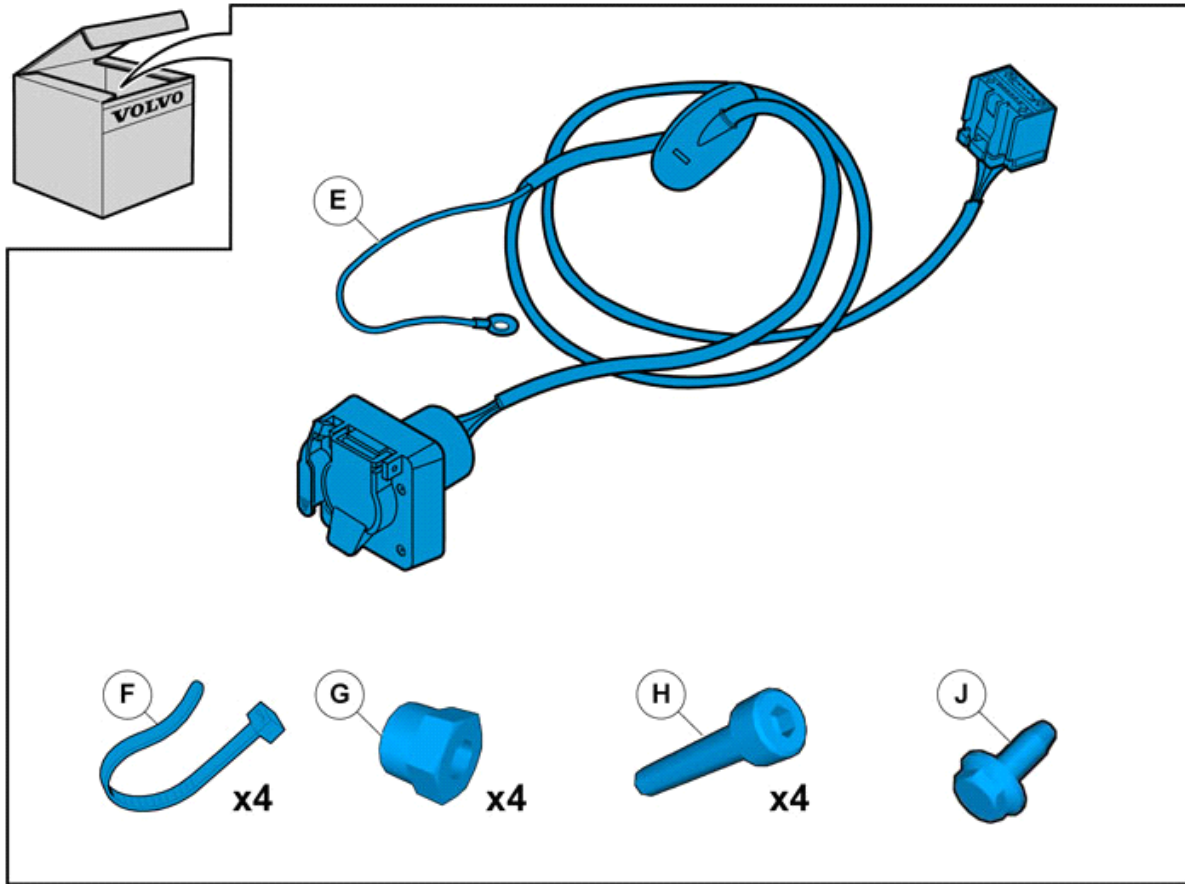


IMG-361617



Installation instructions, accessories

Volvo Car Corporation Gothenburg, Sweden



IMG-368453



Installation instructions, accessories

Volvo Car Corporation Gothenburg, Sweden

INTRODUCTION

Read through all of the instructions before starting installation.

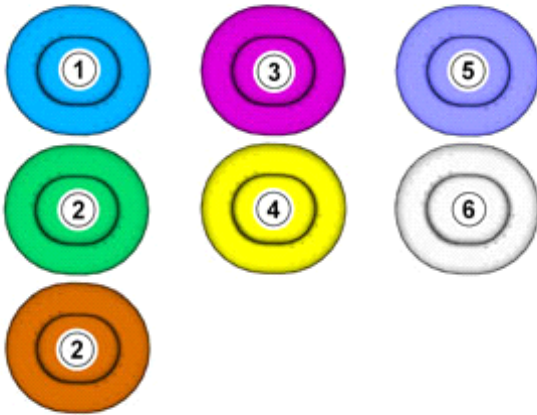
Notifications and warning texts are for your safety and to minimise the risk of something breaking during installation.

Ensure that all tools stated in the instructions are available before starting installation.

Certain steps in the instructions are only presented in the form of images. Explanatory text is also given for more complicated steps.

In the event of any problems with the instructions or the accessory, contact your local Volvo dealer.

1



IMG-363036

Color symbols

1. Used for focused part, the part that you are to do something with.
2. Used as extra colors when you need to show or highlight additional parts.
3. Used for fasteners to be removed/installed. May be screws, clips, connectors, etc.
4. Used when part is not removed completely from the vehicle but is only hung/suspended off to the side.
5. Used for standard tools and special tools.
6. Used as background color on vehicle parts.

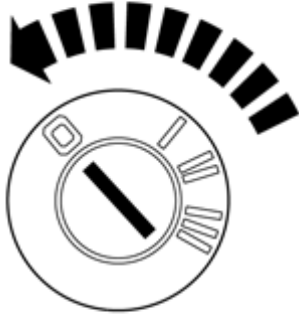


Installation instructions, accessories

Volvo Car Corporation Gothenburg, Sweden

2

Turn the ignition key to position **0**.



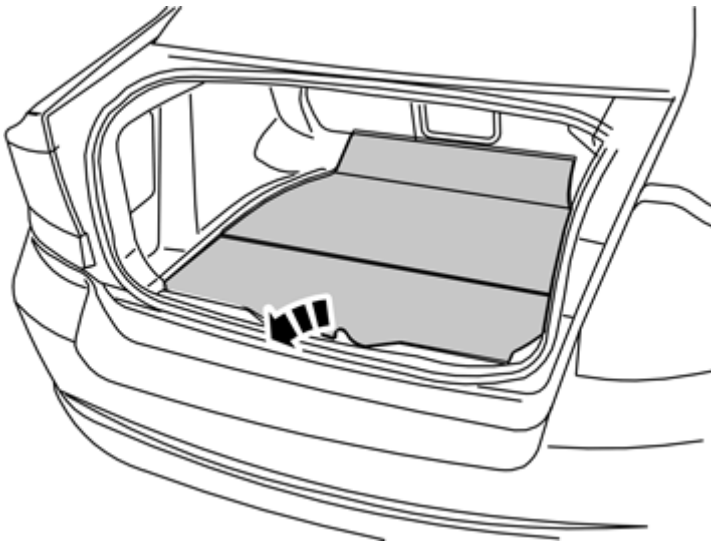
Note!

Wait at least one minute before the connectors are unplugged, or other electric equipment is removed.

IMG-245980

3

Lift out the trunk mat.

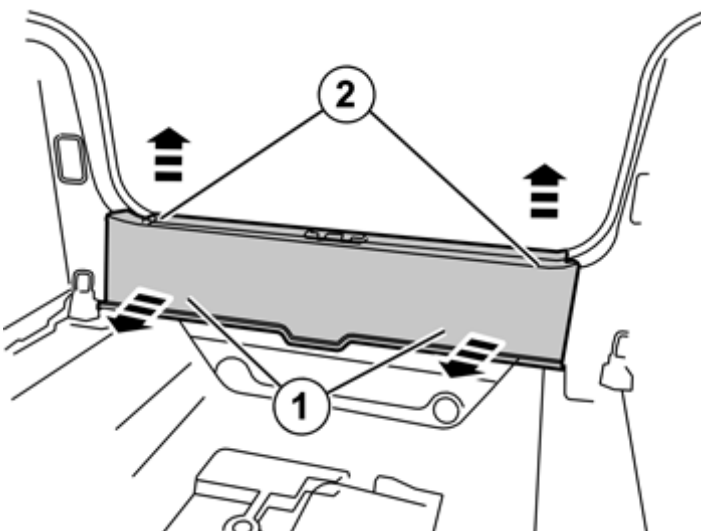


IMG-226720

4

Remove the sill panel by first pulling it forward until the two clips at the leading edge release.

Then pull up until the two clips at the top edge release.



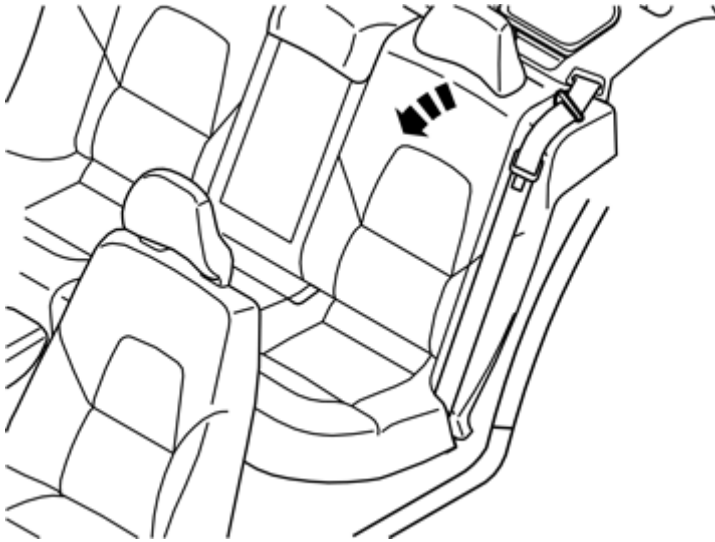
IMG-226722



Installation instructions, accessories

Volvo Car Corporation Gothenburg, Sweden

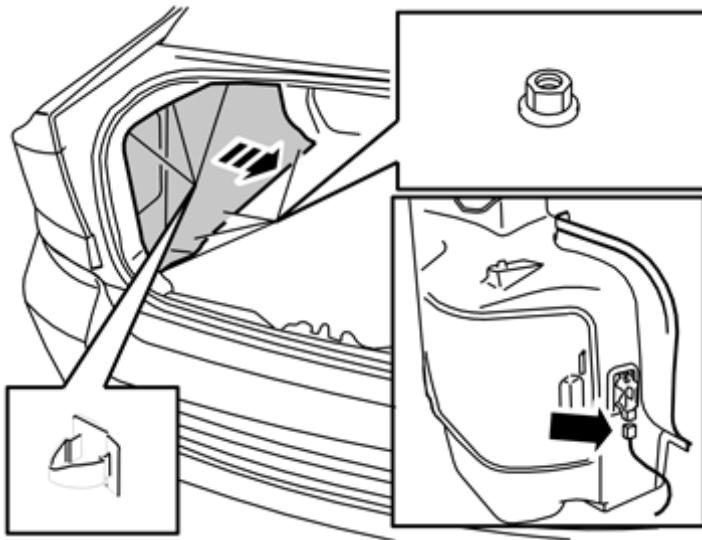
5



IMG-226723

Fold forward the left backrest in the backseat.

6



IMG-226724

Remove:

the three clips at the top edge of the side panel.

the four plastic nuts at the lower edge of the side panel.

the connector for the trunk lighting.

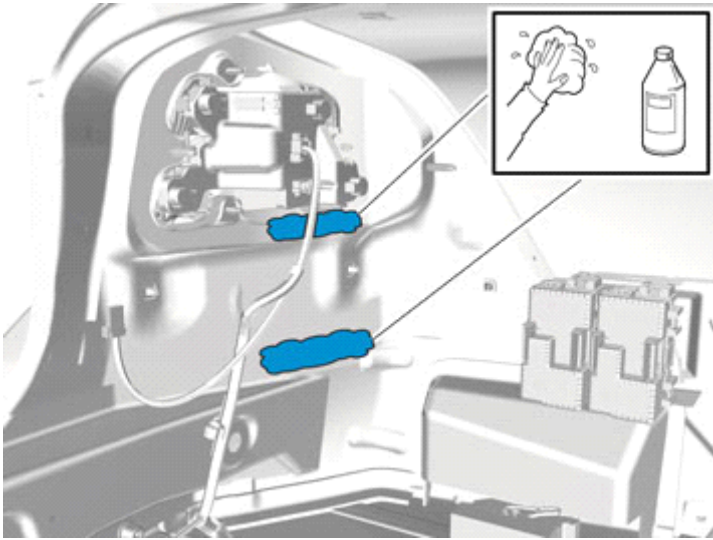
Lift out the side panel.



Installation instructions, accessories

Volvo Car Corporation Gothenburg, Sweden

7

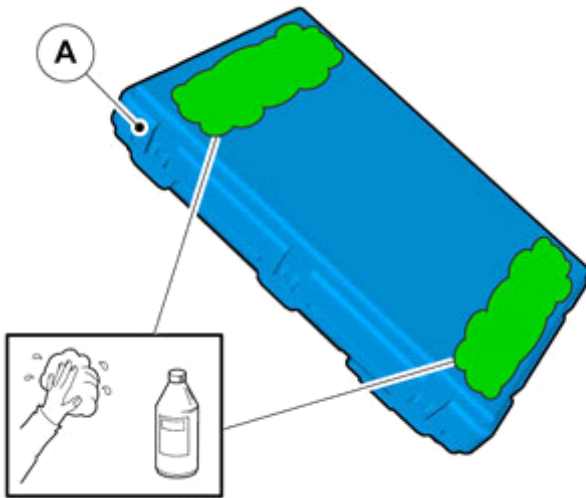


IMG-360485

Installing TRM

Use: Isopropanol, 1161721 Wipe off.

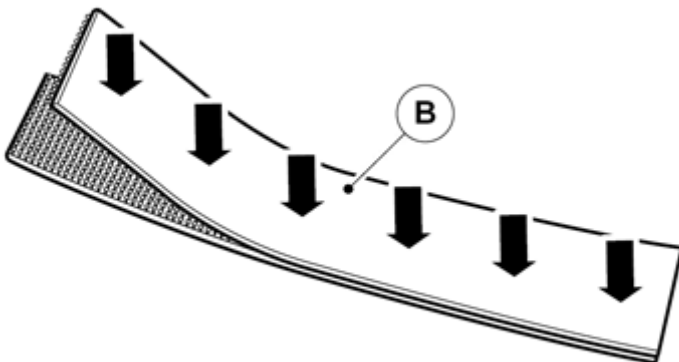
8



IMG-360486

Use: Isopropanol, 1161721 Wipe off.

9



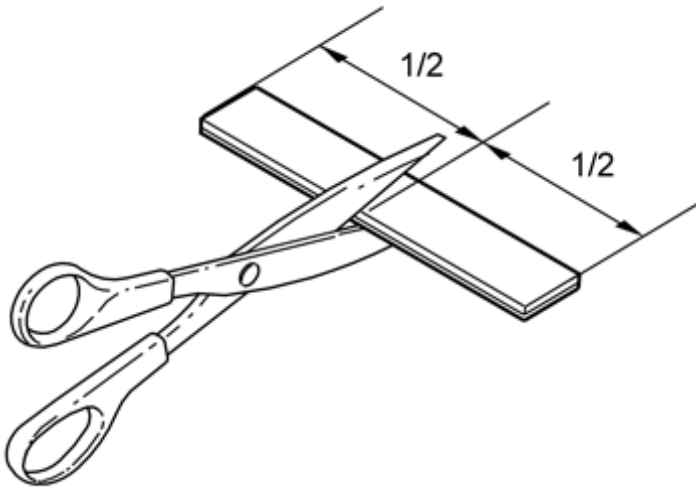
IMG-356181



Installation instructions, accessories

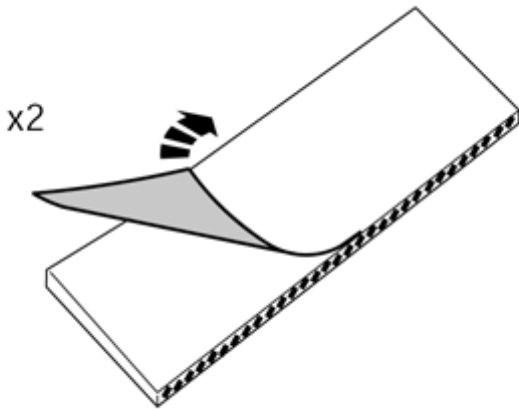
Volvo Car Corporation Gothenburg, Sweden

10



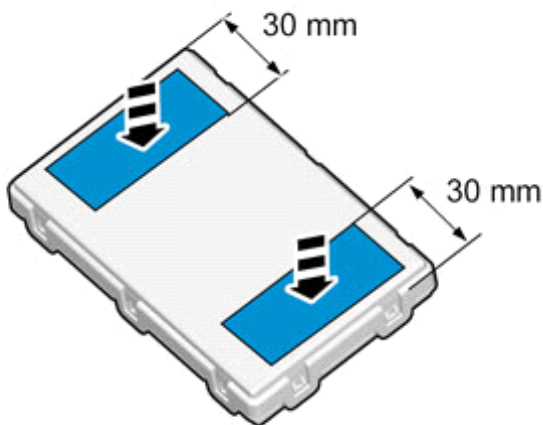
IMG-222282

11



IMG-241925

12



When installing Velcro tape the surface must maintain a temperature of at least +20 ° C (68°F).

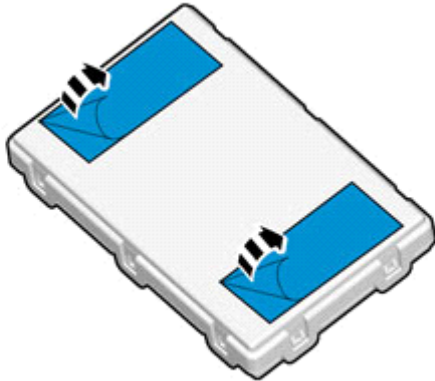
IMG-360498



Installation instructions, accessories

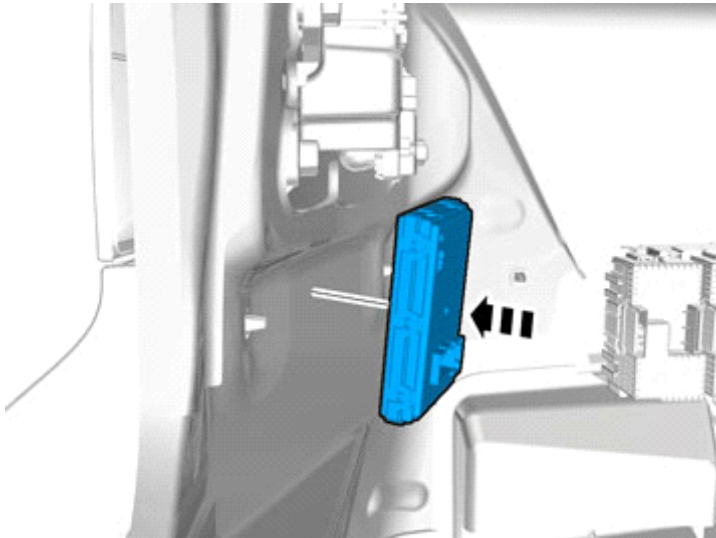
Volvo Car Corporation Gothenburg, Sweden

13



IMG-360492

14



IMG-360501

When installing Velcro tape the surface must maintain a temperature of at least +20 ° C (68°F).

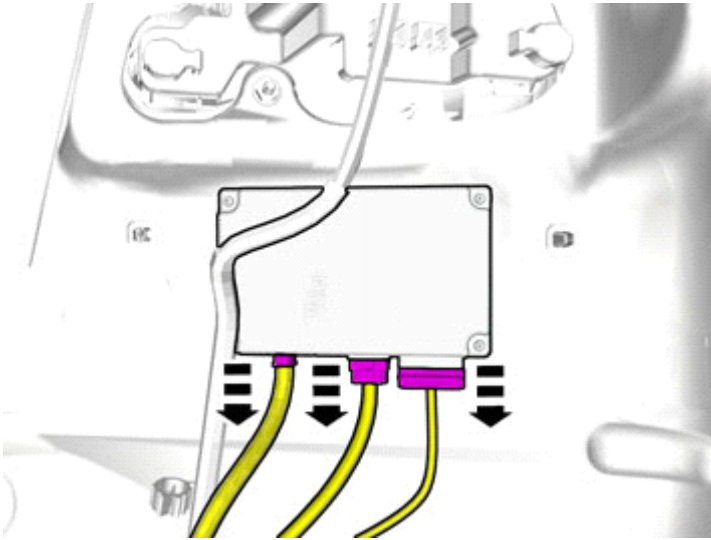
Press the control module securely into place.



Installation instructions, accessories

Volvo Car Corporation Gothenburg, Sweden

15

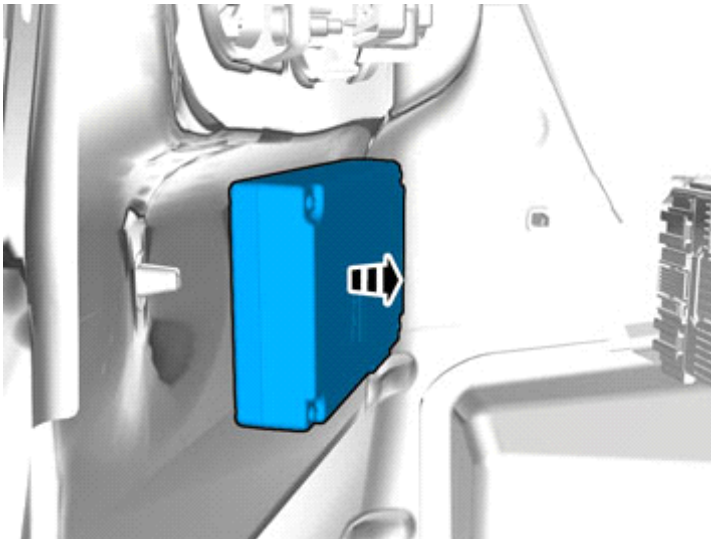


IMG-360526

Applies to cars equipped with rear parking camera.

Disconnect the connectors.

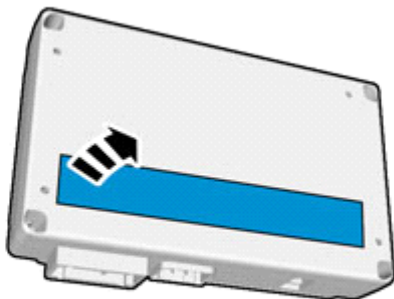
16



IMG-360527

Remove the control module. It is fastened with Velcro straps.

17



IMG-360528

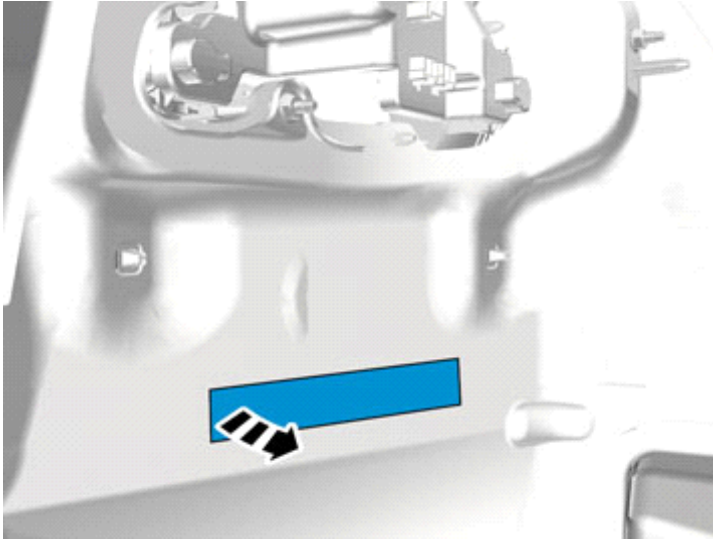
Remove the Velcro strap on the back of the control module.



Installation instructions, accessories

Volvo Car Corporation Gothenburg, Sweden

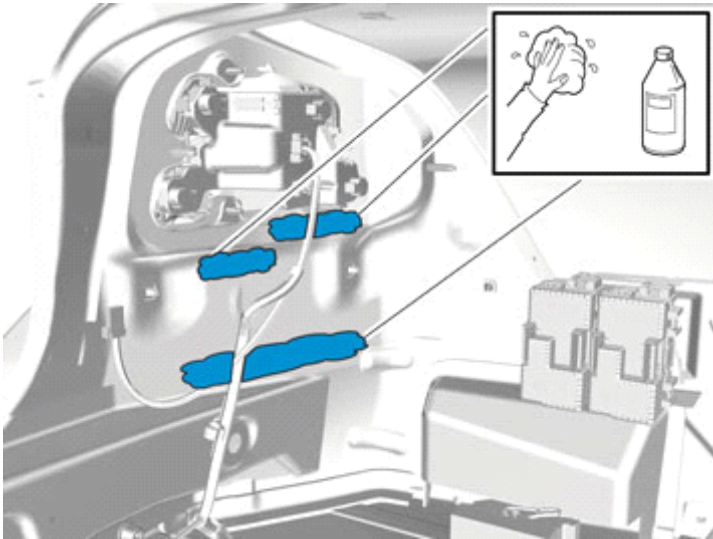
18



IMG-360529

Remove the Velcro strap

19

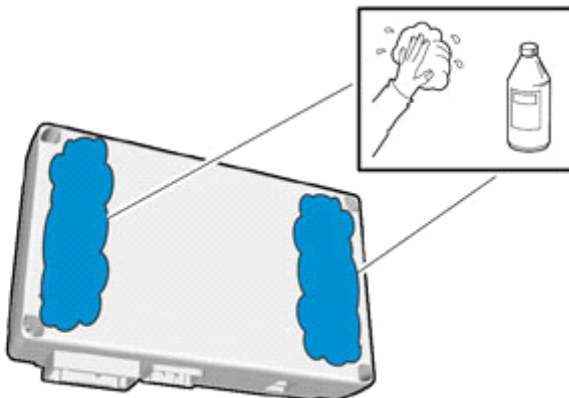


IMG-360548

Remove the remains of glue

Use: Isopropanol, 1161721 Wipe off.

20



Use: Isopropanol, 1161721 Wipe off.

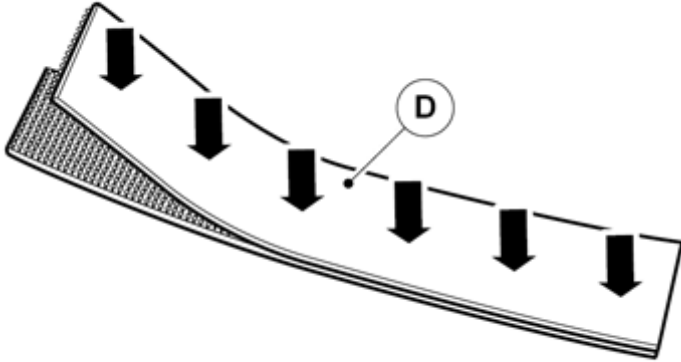
IMG-360549



Installation instructions, accessories

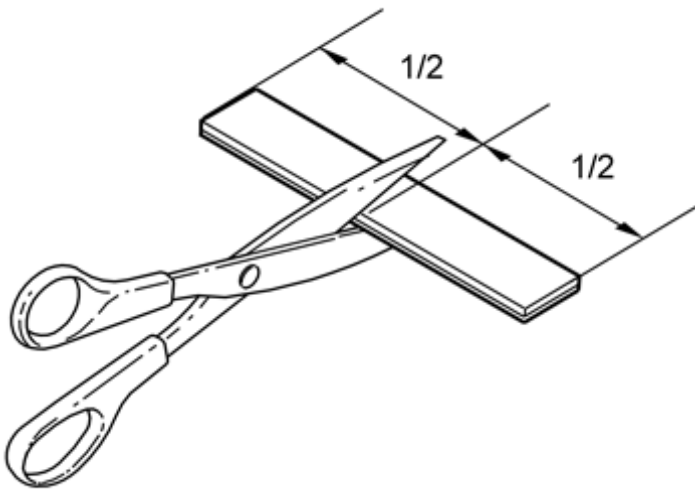
Volvo Car Corporation Gothenburg, Sweden

21



IMG-361618

22



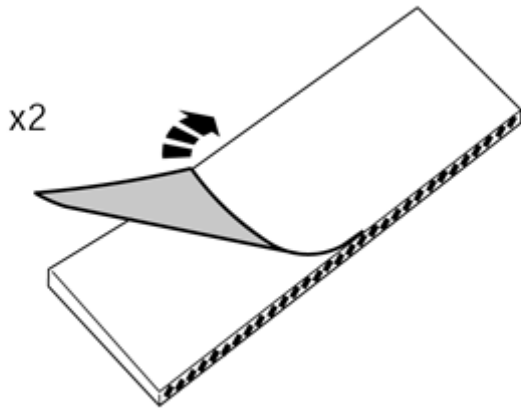
IMG-222282



Installation instructions, accessories

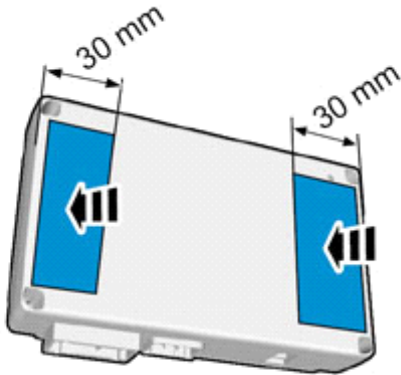
Volvo Car Corporation Gothenburg, Sweden

23



IMG-241925

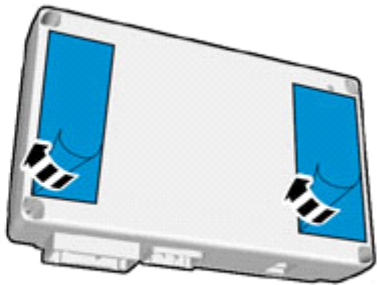
24



When installing Velcro tape the surface must maintain a temperature of at least +20 ° C (68°F).

IMG-360550

25



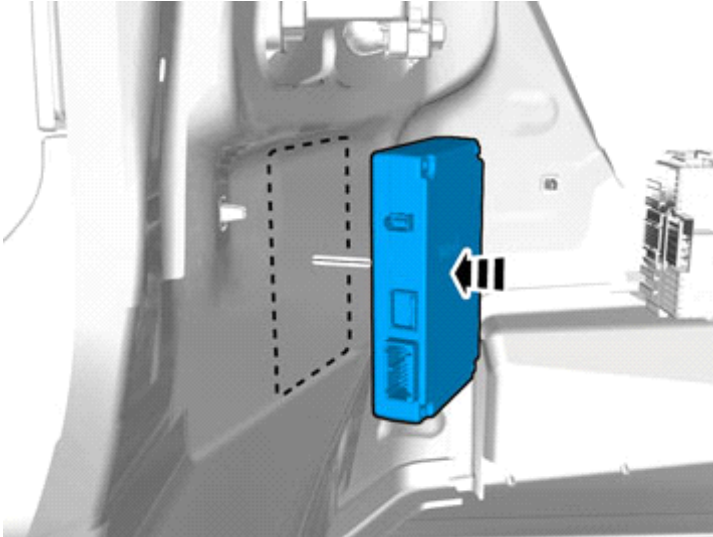
IMG-360551



Installation instructions, accessories

Volvo Car Corporation Gothenburg, Sweden

26

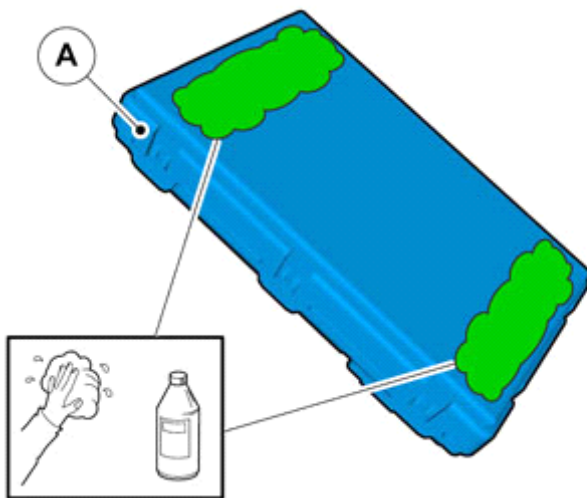


IMG-360552

When installing Velcro tape the surface must maintain a temperature of at least +20 ° C (68°F).

Press the control module securely into place.

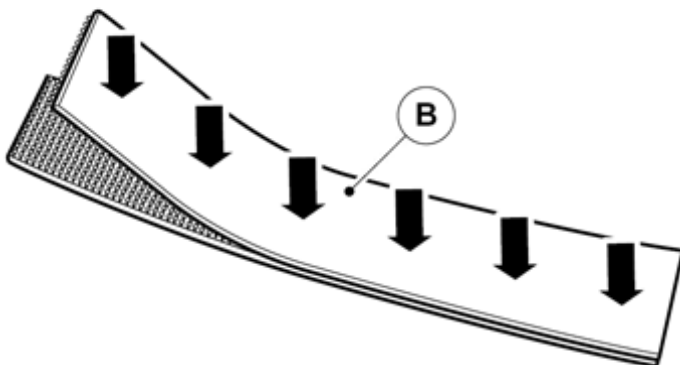
27



IMG-360486

Use: Isopropanol, 1161721 Wipe off.

28



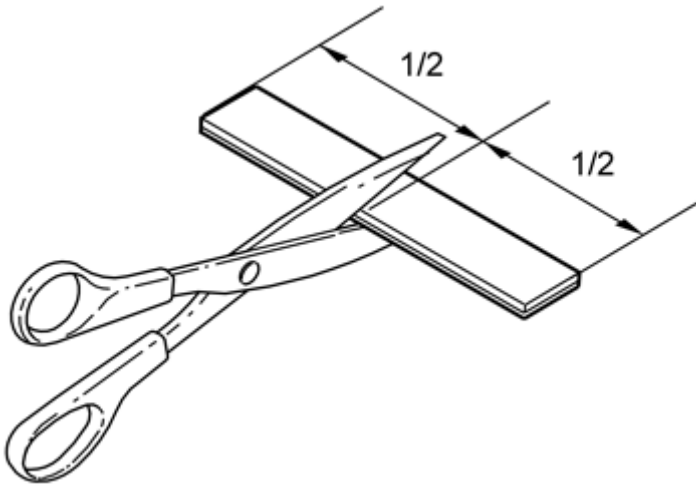
IMG-356181



Installation instructions, accessories

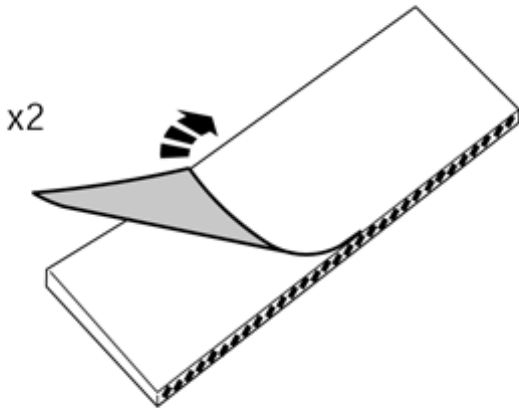
Volvo Car Corporation Gothenburg, Sweden

29



IMG-222282

30



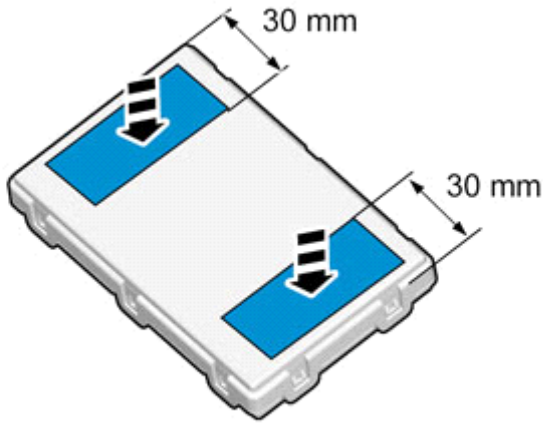
IMG-241925



Installation instructions, accessories

Volvo Car Corporation Gothenburg, Sweden

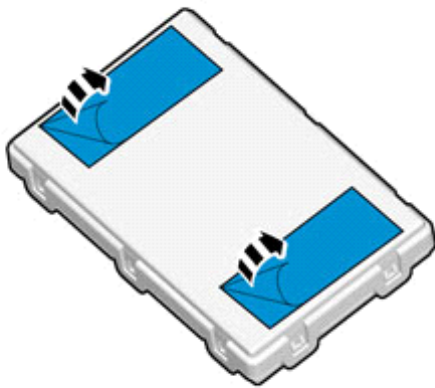
31



When installing Velcro tape the surface must maintain a temperature of at least +20 ° C (68°F).

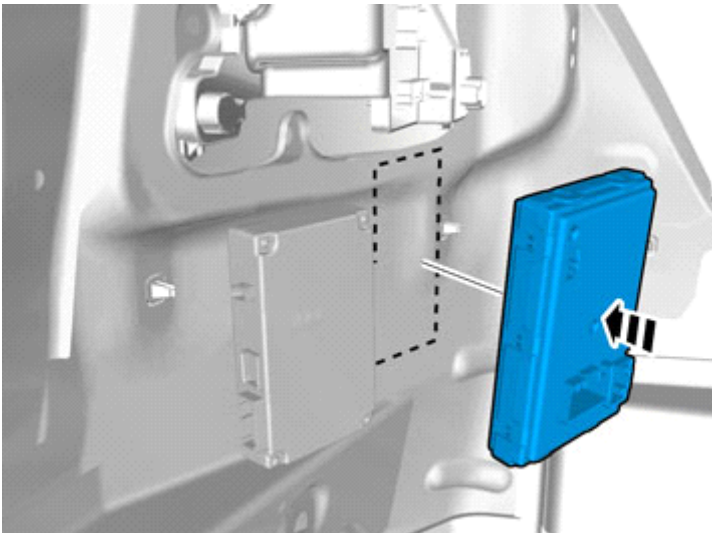
IMG-360498

32



IMG-360492

33



When installing Velcro tape the surface must maintain a temperature of at least +20 ° C (68°F).

Press the control module securely into place.

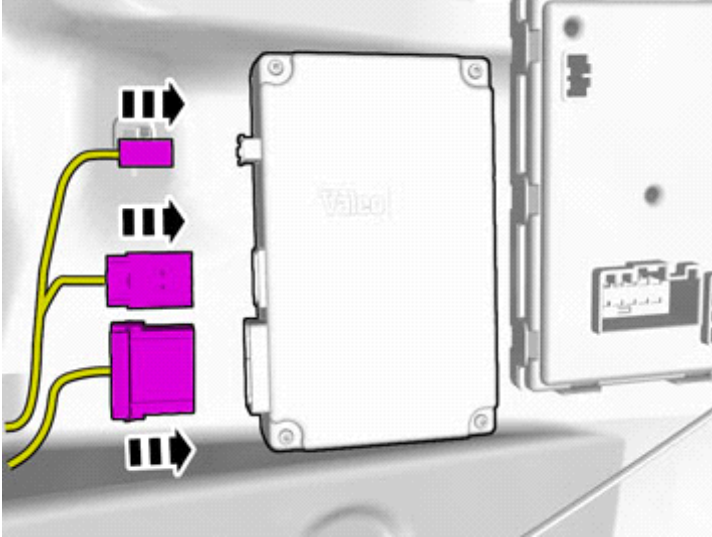
IMG-360577



Installation instructions, accessories

Volvo Car Corporation Gothenburg, Sweden

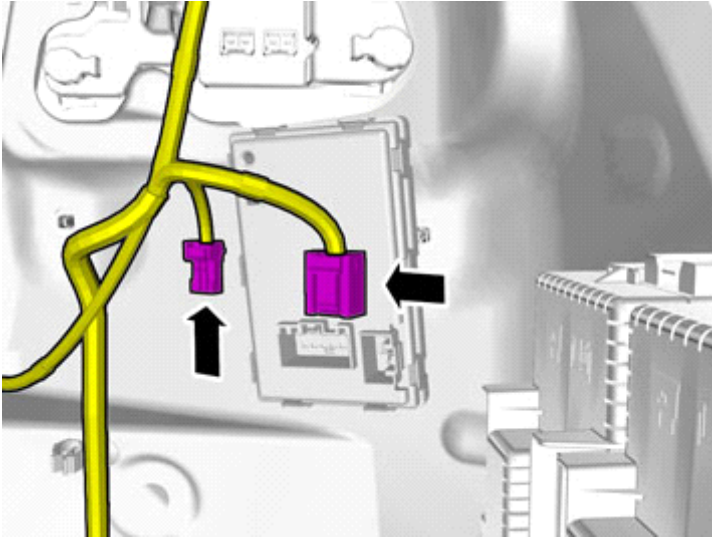
34



IMG-360576

Plug in the connectors to the control module.

35

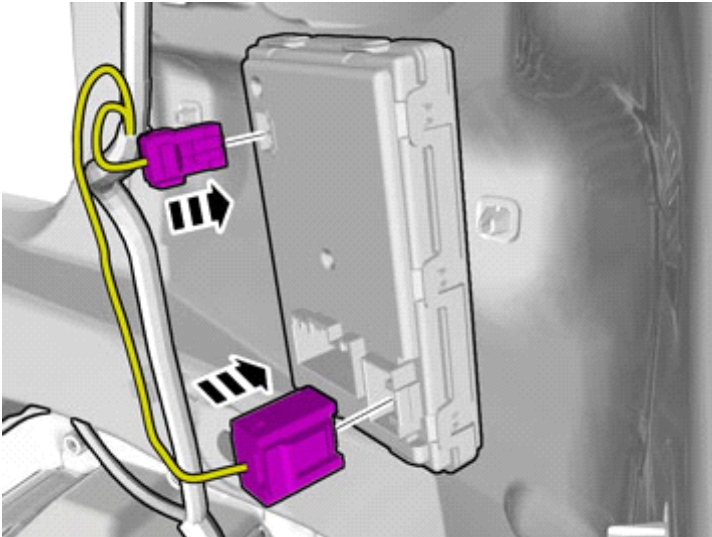


IMG-360508

Applies to all models

Locate the connectors in the car's cable harness.

36



IMG-360521

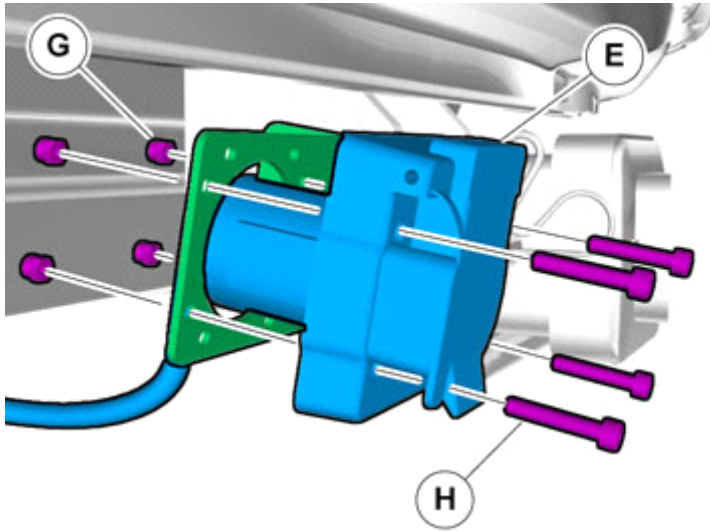
Plug in the connectors to the control module.



Installation instructions, accessories

Volvo Car Corporation Gothenburg, Sweden

37

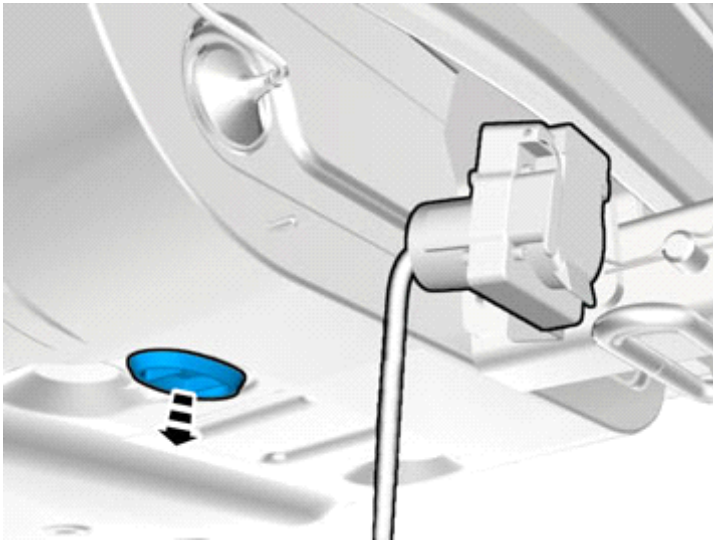


IMG-368463

Installing trailer hitch cable harness

Get four screws and nuts from the kit and install the socket (outlet) on the bracket.

38



IMG-368465

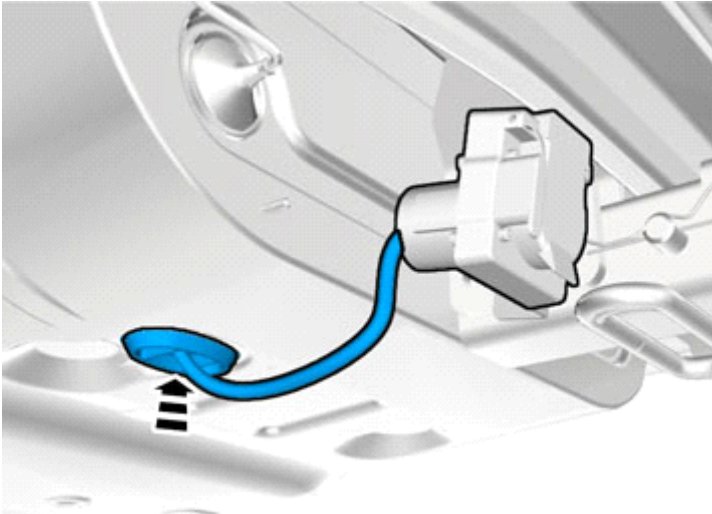
Remove the rubber bushing in the floor and put it aside, it is not to be used anymore.



Installation instructions, accessories

Volvo Car Corporation Gothenburg, Sweden

39



IMG-368466

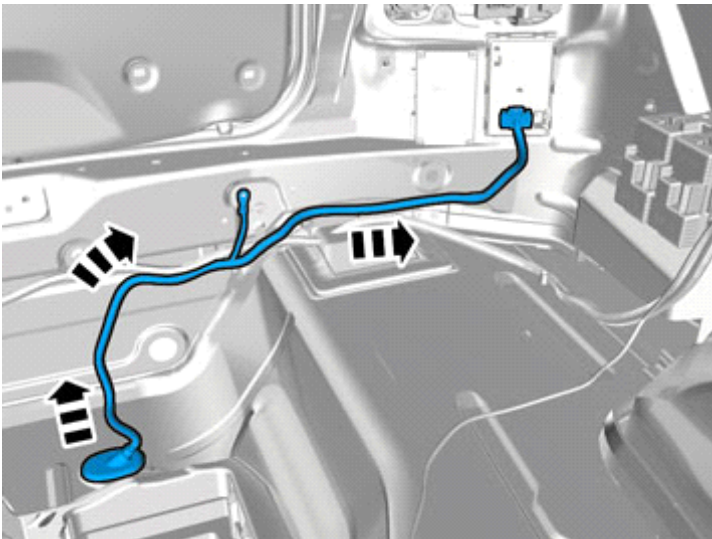
Insert the cable with the connector in the hole in the spare wheel well and install the rubber bushing.

Adapt the length of the cable from the socket (outlet) and to the rubber bushing so that the cable is not too slack under the car.

Note!

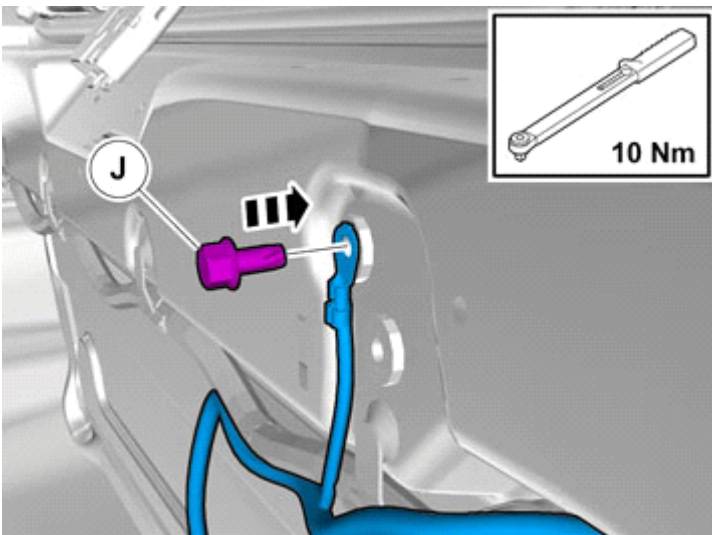
The rubber bushing should be installed so that the cable points to the left on the inside.

40



IMG-368472

41



IMG-368467

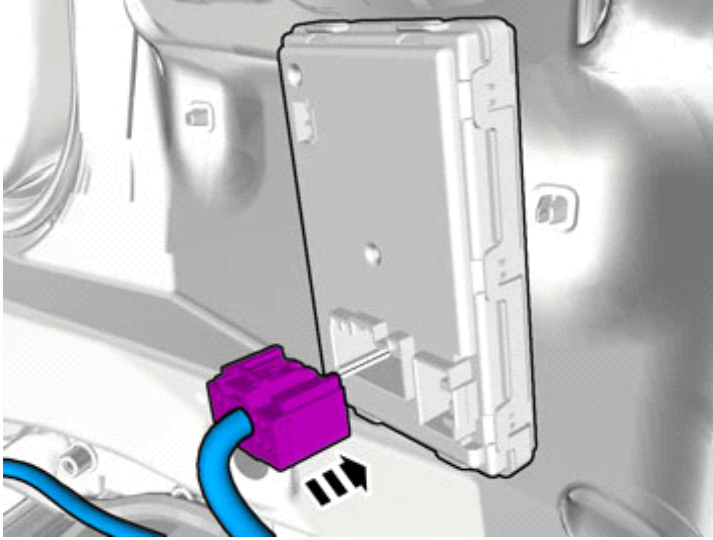
Get the ground screw from the kit and tighten down the ground cable in the grounding point in the rear harness. Torque-tighten the bolt, tightening torque: **10 Nm**



Installation instructions, accessories

Volvo Car Corporation Gothenburg, Sweden

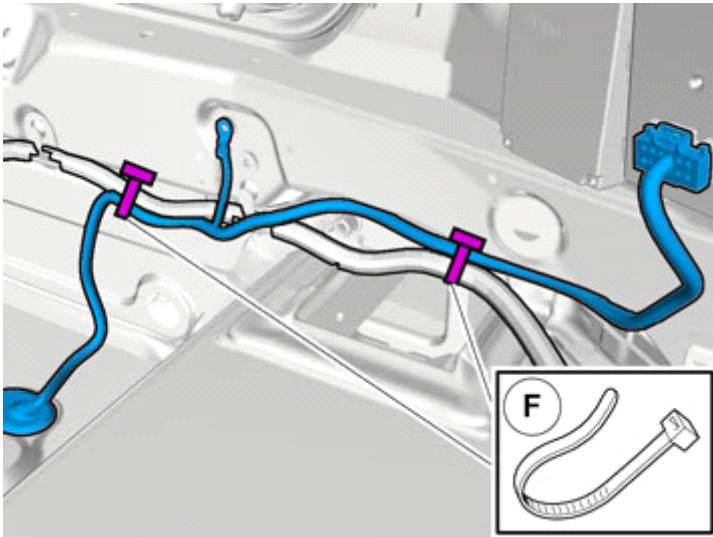
42



IMG-361392

Plug in the green connector to the trailer module (TRM).

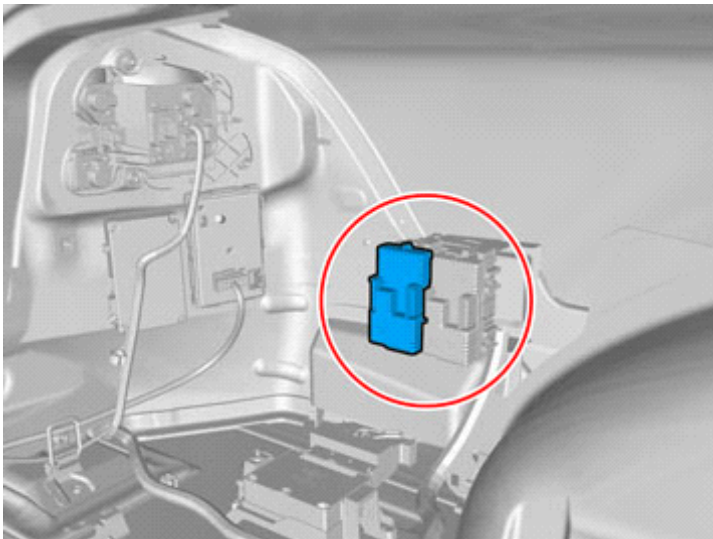
43



IMG-368468

Clamp the cable harness to the existing cable harness with two cable ties from the kit.

44



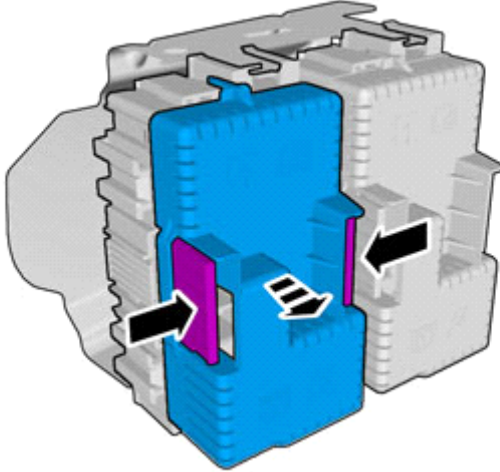
IMG-368474



Installation instructions, accessories

Volvo Car Corporation Gothenburg, Sweden

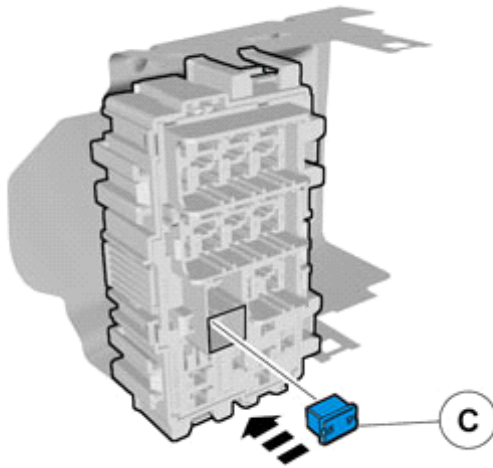
45



Press in the catches on the black lid on the fuse holder and remove it.

IMG-360159

46



Install 40A fuse in position FA11.

IMG-361631

47

Applies to all models

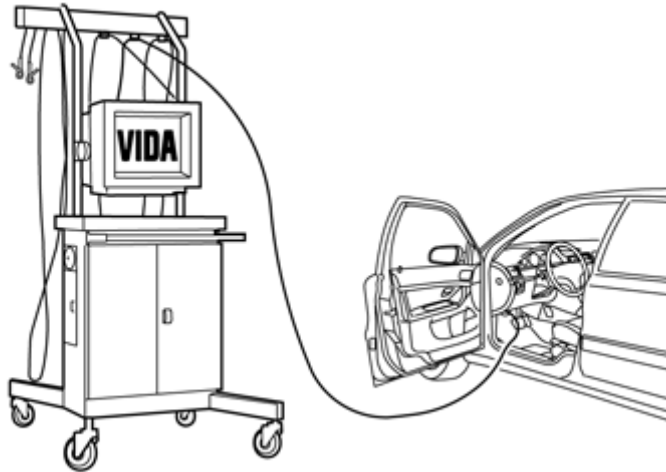
Reinstall the removed parts in reverse order.



Installation instructions, accessories

Volvo Car Corporation Gothenburg, Sweden

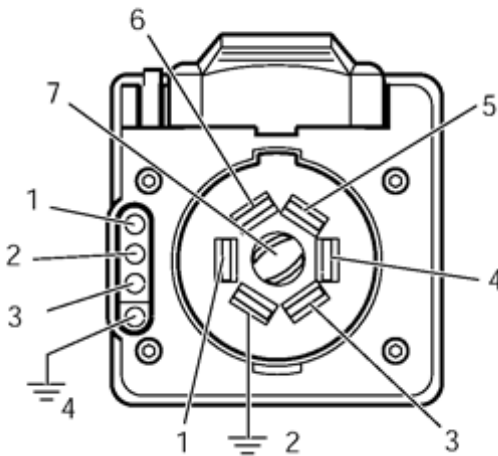
48



IMG-242268

Download software (application) for the accessory's function according to the service information in VIDA. See VIDA or the accessories catalogue for software part number.

49



IMG-249951

Checking trailer socket

7-pin connection

1. Brake lights/Left turn signal
2. Ground
3. Spare (Brake lights, Electric brake)
4. Brake lights/Right turn signal
5. Charging
6. Running lights
7. Spare (Back-up light)

The cable for pin 3 for 7-pin connection is blue (BL). It is taped on the cable harness approx. 1 meter from the trailer socket.

4-pin connection

1. Brake lights/Right turn signal
2. Brake lights/Left turn signal
3. Running lights
4. Ground